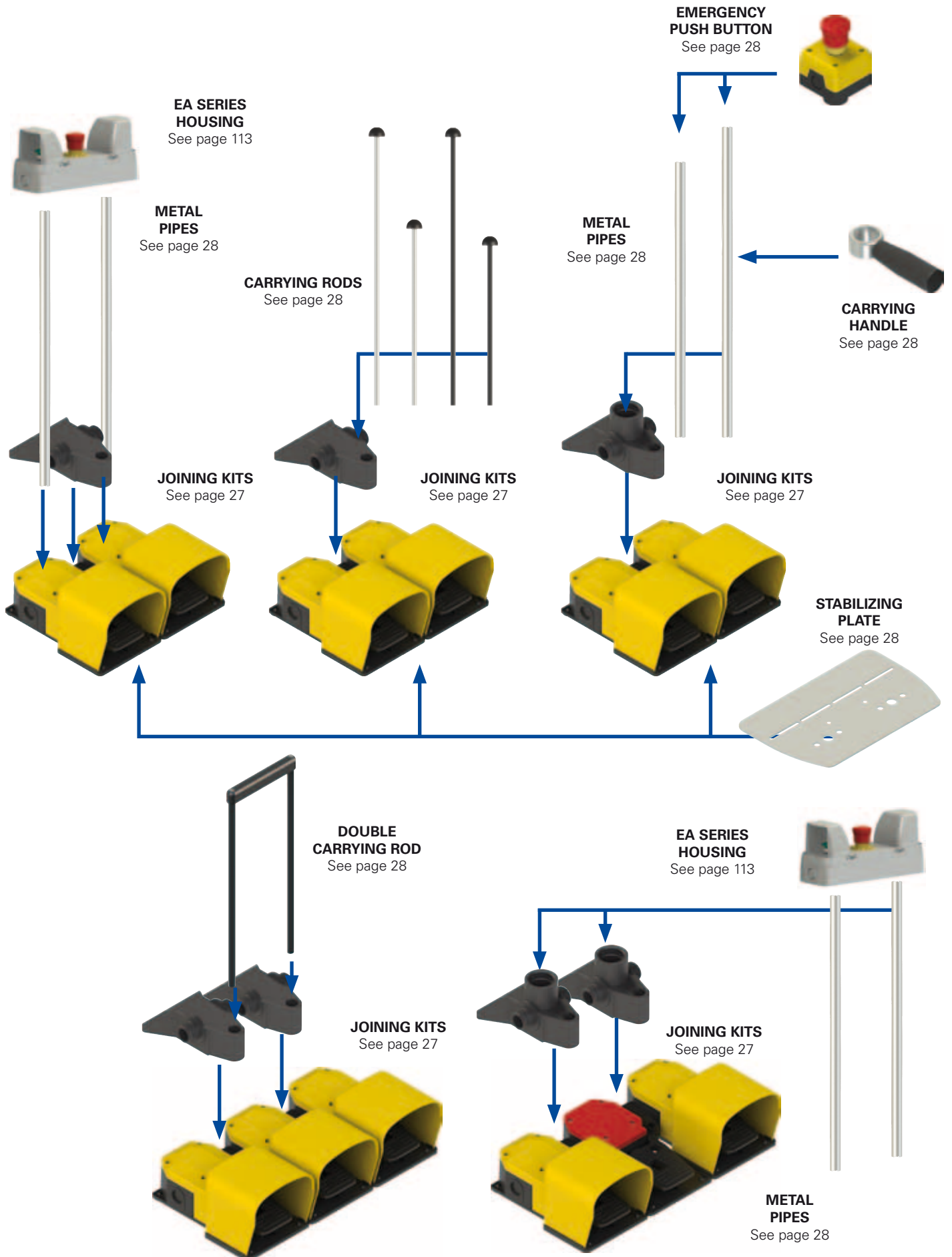


Selection diagram



● product options
 → accessory sold separately

Already existing combinations of double foot switches

If you wish to purchase foot switches already assembled, with a single order code, please contact our sales office. Before contacting our offices, please look at the following table where some already assigned multiple foot switch combinations are listed.

Code	Left foot switch	Joining device	Right foot switch	Additional kits
PC 2-101	PX 10110-M2	VF KIT20	PX 10110-M2	VF KIT21
PC 2-102	PX 10111-M2	VF KIT20	PX 10111-M2	
PC 2-103	PX 20110-M2	VF KIT20	PX 10210-M2	VF KIT21
PC 2-104	PX 20110-M2	VF KIT20	PX 10110-M2	VF KIT21
PC 2-105	PX 10110-M2	VF KIT20	PX 20110-M2	VF KIT21
PC 2-106	PX 10120-M2	VF KIT20	PX 10110-M2	VF KIT21
PC 2-107	PX 10310-M2	VF KIT20	PX 10310-M2	VF KIT21
PC 2-108	PX 10410-M2	VF KIT20	PX 10410-M2	VF KIT21
PC 2-109	PX 10210-M2	VF KIT20	PX 10210-M2	VF KIT21
PC 2-110	PX 10301-M2	VF KIT20	PX 10301-M2	
PC 2-111	PX 10100-M2	VF KIT20	PX 10100-M2	
PC 2-112	PX 10111-M2	VF KIT20	PX 10111-M2	VF KIT21
PC 2-113	PX 10120-M2	VF KIT20	PX 10120-M2	VF KIT21
PC 2-114	PX 10411-M2	VF KIT20	PX 10411-M2	VF KIT21
PC 2-115	PX 10211-M2	VF KIT20	PX 10201-M2	
PC 2-116	PX 10211-M2	VF KIT20	PX 10211-M2	VF KIT21
PC 2-117	PX 10100-M2	VF KIT20	PX 10210-M2	VF KIT21
PC 2-118	PA 20100-M2	VF KIT20	PX 10110-M2	VF KIT21
PC 2-119	PA 20101-M2	VF KIT20	PX 10111-M2	VF KIT21
PC 2-120	PA 20300-M2	VF KIT20	PX 10310-M2	VF KIT21
PC 2-121	PA 20120-M2	VF KIT20	PX 10110-M2	VF KIT21
PC 2-122	PA 20121-M2	VF KIT20	PX 10111-M2	VF KIT21
PC 2-123	PA 20200-M2	VF KIT20	PX 10810-M2	VF KIT21
PC 2-124	PA 20100-M2	VF KIT20	PX 10210-M2	VF KIT21
PC 2-125	PA 20100-M2	VF KIT20	PX 10100-M2	VF KIT21
PC 2-126	PA 20100-M2	VF KIT20	PA 20100-M2	VF KIT21
PC 2-127	PA 20400-M2	VF KIT20	PA 20400-M2	VF KIT21
PC 2-128	PX 10110-M2	VF KIT30	PX 10110-M2	
PC 2-129	PA 20100-M2	VF KIT30	PX 10110-M2	
PC 2-130	PX 10111-M2	VF KIT30	PX 10111-M2	
PC 2-131	PX 10110-BM2	VF KIT20	PX 10110-BM2	
PC 2-132	PX 10111-M2	VF KIT30	PX 10111-M2	VF KIT29+ VF KIT32+VF KIT50
PC 2-133	PX 20210-M2	VF KIT20	PX 20210-M2	
PC 2-134	PX 20410-M2	VF KIT20	PX 20410-M2	
PC 2-35	PX 20211-M2	VF KIT20	PX 20211-M2	
PC 2-137	PX 10421-M2	VF KIT20	PX 10401-M2	
PC 2-138	PX 10210-M2	VF KIT20	PX 20210-M2	VF KIT21
PC 2-139	PX 40220-M2	VF KIT20	PX 40200-M2	
PC 2-40	PA 20100-M2	VF KIT20	PX 10110-M2	VF KIT22
PC 2-141	PX 10110-M2	VF KIT20	PA 20100-M2	
PC 2-142	PX 10111-M2	VF KIT30	PX 10111-M2	VF KIT31+ VF KIT32
PC 2-143	PX 10100-M2	VF KIT30	PX 10210-M2	VF KIT31+ VF KIT33
PC 2-144	PX 10810-M2	VF KIT30	PX 10110-M2	VF KIT31+ VF KIT32
PC 2-145	PX 40100-M2	VF KIT30	PX 40100-M2	VF KIT31+ VF KIT33
PC 2-146	PA 20100-M2	VF KIT30	PX 10110-M2	VF KIT31+ VF KIT36
PC 2-147	PX 10110-M2	VF KIT30	PX 12040-M2	VF KIT31+ VF KIT34
PC 2-148	PX 10110-M2	VF KIT20	PX 10110-M2	VF KIT21 + VF KIT61
PC 2-149	PX 10111-M2	VF KIT30	PX 10111-M2	VF KIT29+ VF KIT32+VF KIT50+ VF KIT61
PC 2-150	PX 40310-M2	VF KIT30	PA 20300-M2	VF KIT29+ VF KIT32

Already existing combinations of triple foot switches

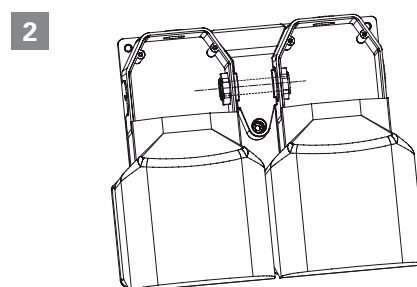
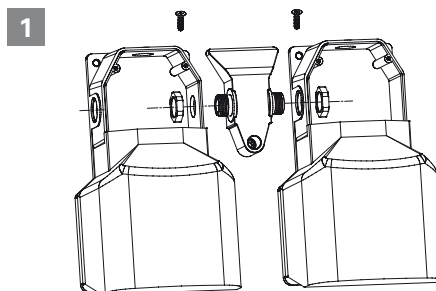
Code	Left foot switch	Joining device	Center foot switch	Joining device	Right foot switch	Additional kits
PC 3-11	PX 10110-M2	VF KIT20	PA 20100-M2	VF KIT20	PX 10110-M2	
PC 3-12	PX 10100-M2	VF KIT20	PX 10100-M2	VF KIT20	PX 10100-M2	
PC 3-13	PX 10110-M2	VF KIT20	PA 20100-M2	VF KIT20	PX 10110-M2	VF KIT40
PC 3-14	PX 10110-M2	VF KIT30	PX 10110-M2	VF KIT30	PX 10110-M2	2x VF KIT31 + 2x VF KIT18

Note:

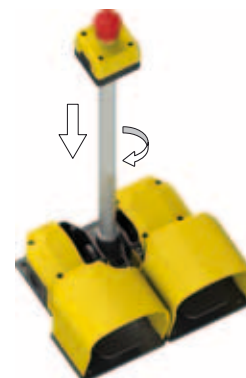
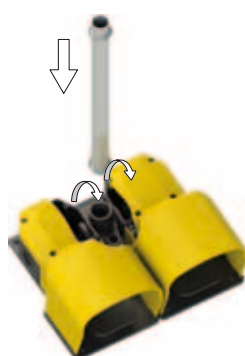
VF KIT21, 22, 26, 29, 31, 32, 33, 34, 35, 40, 50 kits are not supplied assembled because, in order to be wired, kits should be in any case disassembled.

How to combine the modular foot switches

All single foot switches (see page 17) have side knock out openings to enable the insertion of the threaded end of the joining elements. The locking of the threaded nuts of the joining elements forms a sealed cable conduit for the electrical cables from a foot switch to the other. In addition to this, with the supplied screws, the joining elements allow the definitive mechanical locking and the stabilization of two or more foot switches as a single object.



Besides the possibility of joining from two to four single foot switches, the joining elements make it possible to apply a metal tube that enables the electrical connection between the foot contacts and the contacts of an emergency button, connected to the same tube, preserving thus an IP65 protection degree.



Joining elements for modular foot switches

Article	Description
VF KIT20	Joining element



Joining element for technopolymer pedals with hole for carrying rod, with nuts, seals and self-tapping screws for the fixing of the two single pedals. Protection degree IP65.

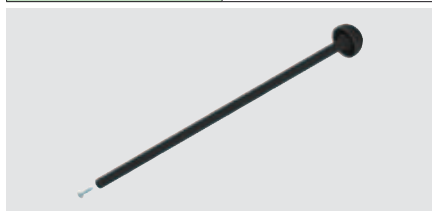
Article	Description
VF KIT30	Joining element



Joining kit for technopolymer pedals with threaded hole M25x1.5 for VF KIT31-VF KIT29 with nuts, seals and self-tapping screws for the fixing of two single pedals. Protection degree IP65.

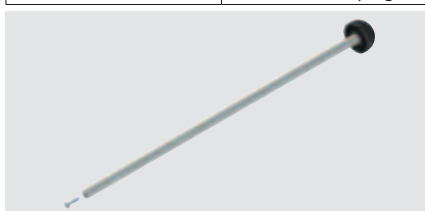
Auxiliary elements for modular foot switches

Article	Description
VF KIT21	Kit carrying rod, L=400 mm
VF KIT22	Kit carrying rod, L=660 mm



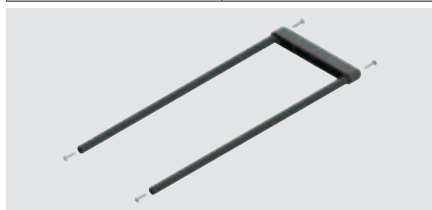
Kit plastic carrying rod (can be connected to VF KIT20) with self-tapping screw for rod fixing.

Article	Description
VF KIT25	Kit metal carrying rod, L=400 mm
VF KIT26	Kit metal carrying rod, L=660 mm



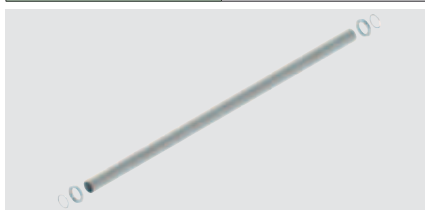
Kit metal carrying rod (can be connected to VF KIT20) with self-tapping screw for rod fixing.

Article	Description
VF KIT40	Kit double carrying rod, L=400 mm
VF KIT41	Kit double carrying rod, L=660 mm



Kit double carrying rod with handle and self-tapping screws for fixing, to combine with two VF KIT20.

Article	Description
VF KIT31	Kit Ø 25 mm metal tube, L=660 mm
VF KIT29	Kit Ø 25 mm metal tube, L=740 mm



Kit Ø 25 mm metal tube with threaded ends M25x1.5 (for VF KIT32, VF KIT33, VF KIT34, VF KIT35) with metal nuts and seals. Protection degree IP65.

Article	Description
VF KIT18	Metal nut



Metal nut M25x1.5 to combine with VF KIT31-VF KIT29 if housings of the EA series are used.

10 pcs. packs.

Article	Description
VF KIT32	Kit emergency button, 1NC
VF KIT33	Kit emergency button, 1NC+1NO
VF KIT34	Kit emergency button, 2NC
VF KIT35	Kit box for buttons Ø 22 mm



Kit emergency button, rotary release, compliant with EN 60947-5-1 and EN ISO 13850, to combine with VF KIT31-VF KIT29. Protection degree IP65.

Article	Description
VF KIT50	Carrying handle



Kit carrying handle for metal tube Ø 25 mm (VF KIT31-VF KIT29).

Article	Description
VF KIT60	Piastra stabilizzatrice metallica



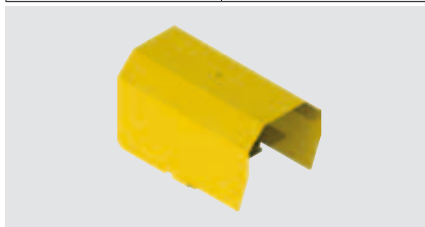
Metal stabilizing plate for single pedal.

Article	Description
VF KIT61	Metal stabilizing plate



Metal stabilizing plate for double pedals.

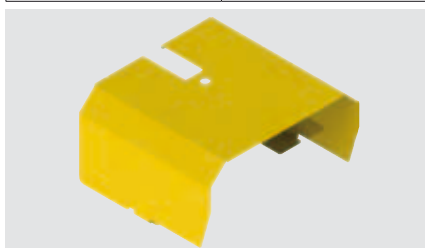
Article	Description
VF KIT71	Single yellow metal protection



Additional metal protections for single foot switches PA series. For heavy-duty work environments, increased dimensions for safety shoes. Not applicable with VF KIT60.

Note: The kits VF KIT21, 22, 25, 26, 29, 31, 32, 33, 34, 35, 40, 41, 50 can be supplied already assembled.

Article	Description
VF KIT81	Double yellow metal protection



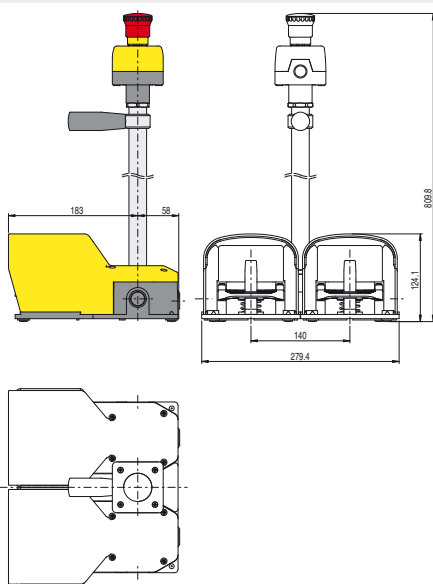
Additional metal protections for modular foot switches PC series. For heavy-duty work environments, increased dimensions for safety shoes. Not applicable with VF KIT61.

Items with code on **green** background are stock items

Combination examples

All measures in the drawings are in mm

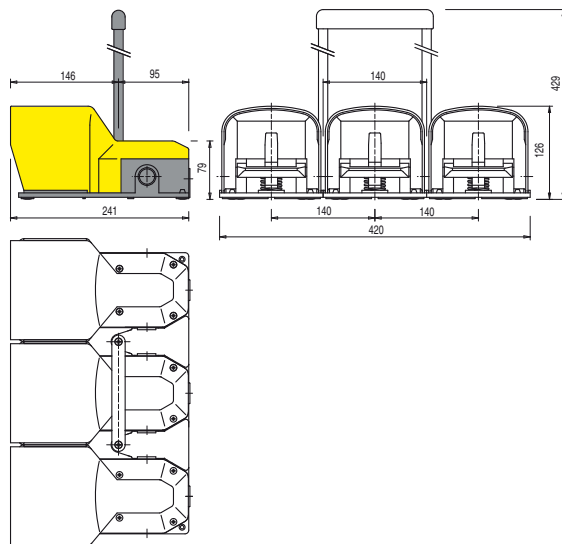
Double foot switches with joining device, metal pipe and emergency button 1NC



How to order:

2x PX 10110-M2	VF KIT30
VF KIT50	VF KIT31
VF KIT32	

Triple foot switches with two joining devices and double carrying rod



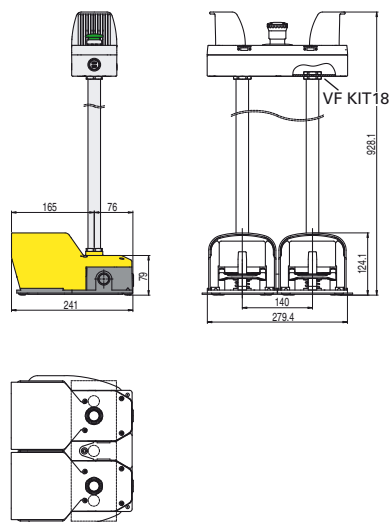
How to order:

3x PX 10110-M2	2x VF KIT20
VF KIT40	

Double foot switch with joining device, two metal tubes, stabilizing plate and housing EA series



EA SERIES HOUSING
See page 113

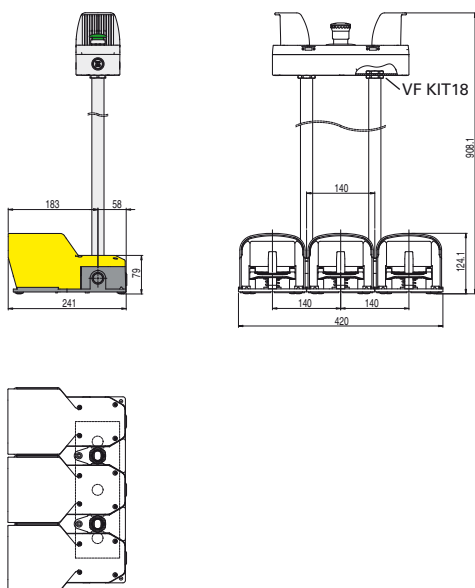


How to order:

2x PX 10110-BM2	VF KIT20
2x VF KIT29	2x VF KIT18
VF KIT61	EA AC37011

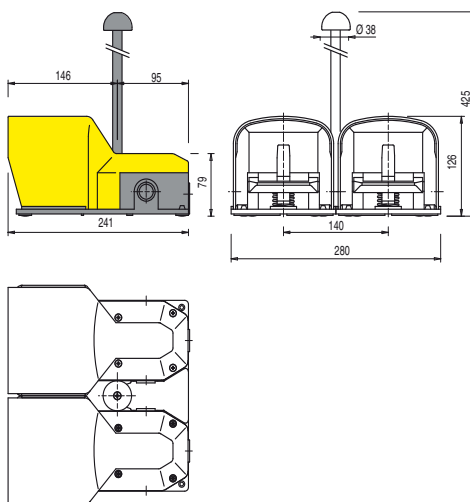
Triple foot switches with two joining devices, two metal pipes and EA series box


EA SERIES HOUSING
See page 113



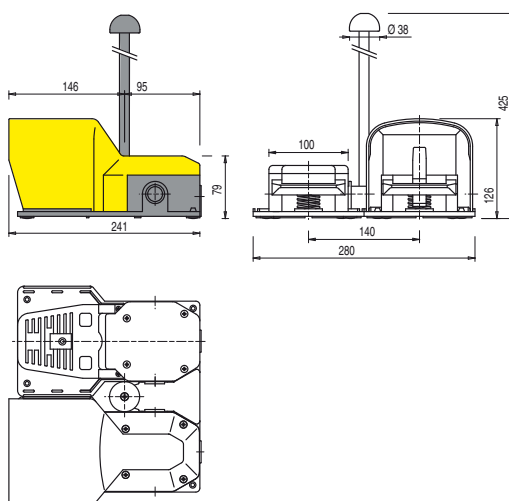
How to order:

3x PX 10110-M2	2x VF KIT30
2x VF KIT29	2x VF KIT18
EA AC37011	

Double foot switches with joining device and carrying rod


How to order:

2x PX 10110-M2	VF KIT20
VF KIT21	

Double foot switches (with and without pedal actuator protection) with joining device and carrying rod


How to order:

PX 10110-M2	PA 20100-M2
VF KIT20	VF KIT21